

4

3

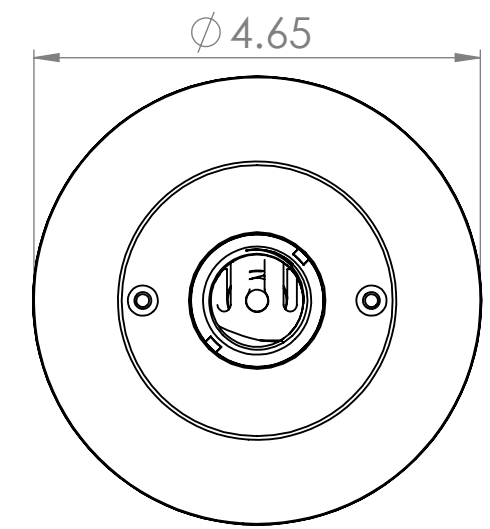
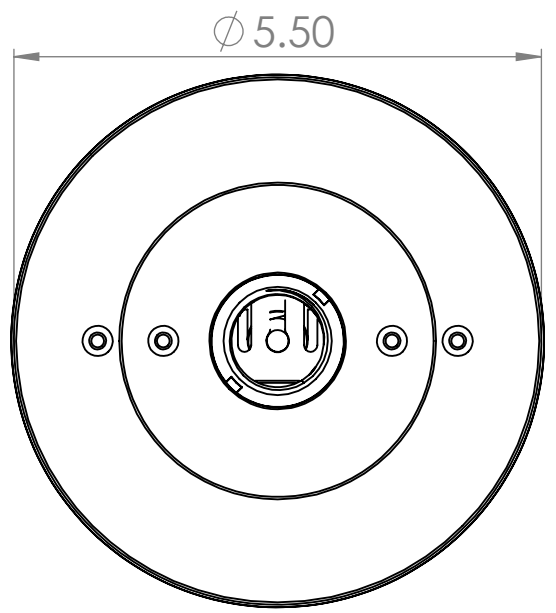
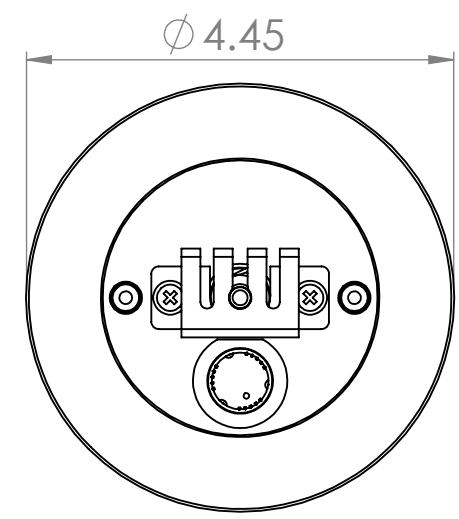
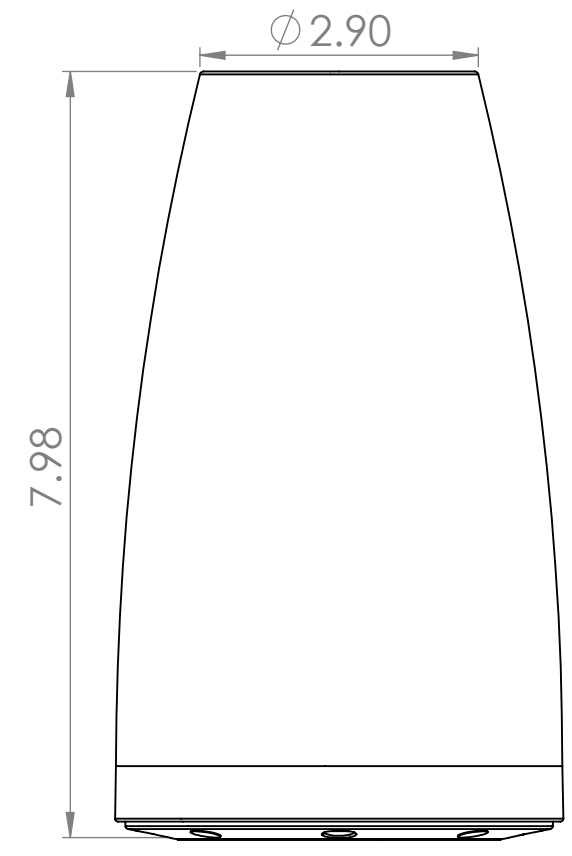
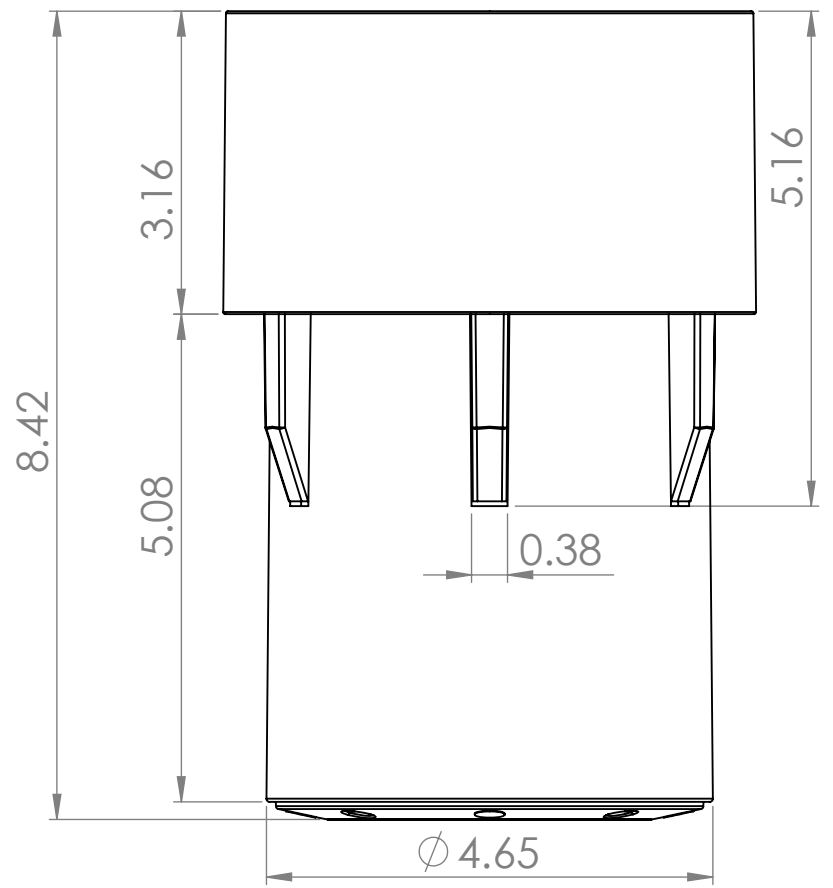
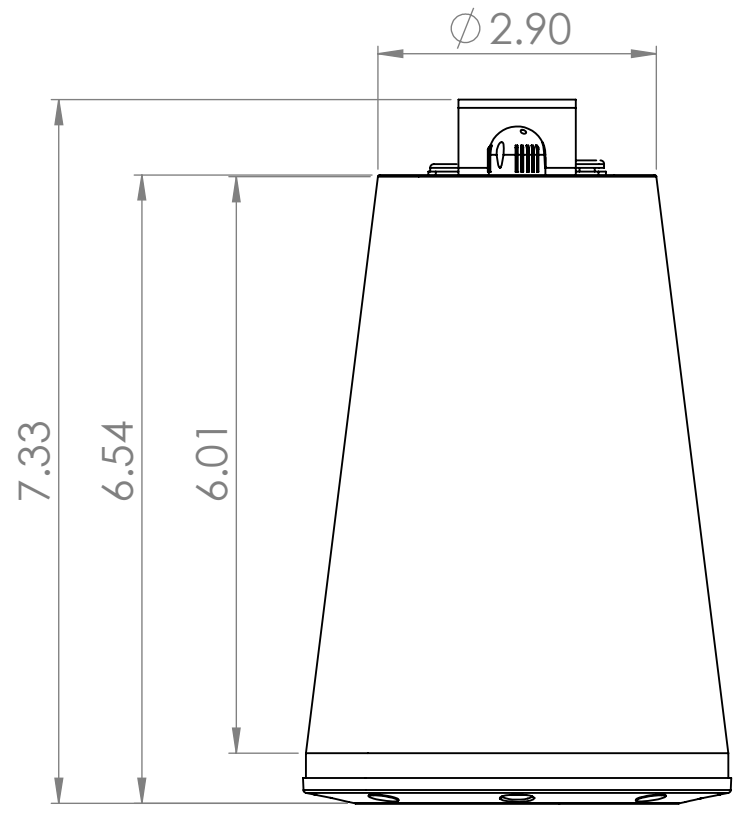
2

1

INTERNAL BODY

CYLINDRICAL SLEEVE

TAPERED SLEEVE



B

B

A

A

UNLESS OTHERWISE SPECIFIED:

DIMENSIONS ARE IN INCHES
 TOLERANCES:
 FRACTIONAL ±
 ANGULAR: MACH ± BEND ±
 TWO PLACE DECIMAL ±
 THREE PLACE DECIMAL ±

INTERPRET GEOMETRIC TOLERANCING PER:
 MATERIAL
 FINISH
 DO NOT SCALE DRAWING

PROPRIETARY AND CONFIDENTIAL
 THE INFORMATION CONTAINED IN THIS DRAWING IS THE SOLE PROPERTY OF MSE AUDIO. ANY REPRODUCTION IN PART OR AS A WHOLE WITHOUT THE WRITTEN PERMISSION OF MSE AUDIO IS PROHIBITED.

NAME	DATE
M. Jenia	6/1/2022
DRAWN	CHECKED
COMMENTS:	

MSE AUDIO

TITLE:
DS31-EZ

SIZE	DWG. NO.	REV
B		1
SCALE: 1:2	WEIGHT:	SHEET 1 OF 1

4

3

2

1